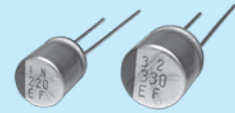


FEF Series

125°C · 135°C

High Ripple Current



- 125°C 4,000hours, 135°C 4,000hours
- Laminated case
- Solvent proof (within 2 minutes)
- AEC-Q200

NEW

Aluminum Electrolytic Capacitors with Hybrid Conductive Polymer

Soldering Condition
Reflow Soldering Condition
Ripple Current Frequency Coefficient

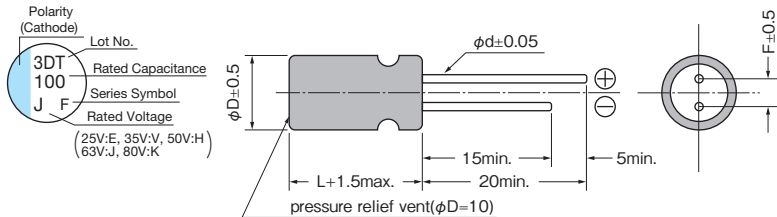
FVL
HVHZ-HVH
HVPZ-HVP
HVT
HVHF
HVPF
HVPX
HVTX
HVHY
HVPY
HVTY

HVHC
HVPC
FVC
FVFP **NEW**
FVF
FVS
FEC **NEW**
FEF **NEW**

Specifications

Items	Condition	Specifications				
Rated voltage (V)	—	25	35	50	63	80
Surge voltage (V)	Room temperature	32	44	63	79	100
Category temperature range (°C)	—	-55 to +135				
Capacitance tolerance (%)	120Hz/20°C	M : ±20				
Dissipation Factor(tan δ)	tanδ (max.) 120Hz/20°C	0.14	0.12	0.10	0.08	0.08
Leakage current (LC)	μA/after 2minutes (max.), 20°C	The greater value of either 0.05CV or 100				
Endurance	125°C, 135°C rated voltage applied (With the rated ripple current)	Test	4,000hours			
		ΔC/C	Within ±30% of the initial value			
		tanδ	Less than 200% of the specified value			
		ESR	Less than 200% of the specified value			
		LC	Less than the specified value			
Shelf Life	135°C, 1,000hours(with no voltage load)	Shall meet the endurance spec above after voltage treatment at 20deg.C per JIS C 5101-4 4.1.				

Marking, Dimensions



(Unit : mm)

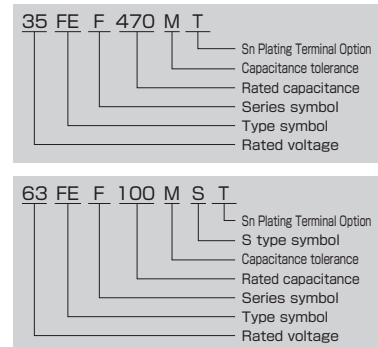
φD	L	F	φd
6.3	7.2	2.5	0.45
8	9.5	3.5	0.6
10	9.5	5.0	0.7
10	11.5	5.0	0.7
10	15.0	5.0	0.7

Size, ESR, Rated Ripple Current

V Items μF	25				35				50			
	Case size φDxL (mm)	ESR(mΩmax.) (20C/100kHz)	Rated ripple current(mArms/100kHz)		Case size φDxL (mm)	ESR(mΩmax.) (20C/100kHz)	Rated ripple current(mArms/100kHz)		Case size φDxL (mm)	ESR(mΩmax.) (20C/100kHz)	Rated ripple current(mArms/100kHz)	
			125°C	135°C			125°C	135°C			125°C	135°C
33									6.3x7.2	40	2200	1500
68					6.3x7.2	35	2700	1800	8x9.5	30	2900	2100
100	6.3x7.2	30	2700	1800					10x9.5	28	3600	2600
120									10x9.5	28	3600	2600
150					8x9.5	20	3500	2500	10x11.5	19	3900	2800
220	8x9.5	20	3500	2500					10x15	13	5100	3700
270					10x9.5	18	4000	3100				
330	10x9.5	18	4000	3100	10x11.5	14	4700	3400				
470	10x11.5	14	4700	3400	10x15	11	5700	4100				
680	10x15	11	5700	4100								

V Items μF	63				80			
	Case size φDxL (mm)	ESR(mΩmax.) (20C/100kHz)	Rated ripple current(mArms/100kHz)		Case size φDxL (mm)	ESR(mΩmax.) (20C/100kHz)	Rated ripple current(mArms/100kHz)	
			125°C	135°C			125°C	135°C
22	6.3x7.2	60	2000	1400				
33					8x9.5	45	2500	1700
47	8x9.5	40	2700	1900				
56	8x9.5	40	2700	1900	10x9.5	36	3200	2200
68					10x11.5	32	3500	2400
82	10x9.5	30	3400	2400				
100	10x9.5 ★ 10x11.5	30 22	3400 3700	2400 2600	10x15	16	4400	3200
120	10x11.5 ★	22	3700	2600				
150	10x15	15	4900	3500				
180	10x15	15	4900	3500				

Part number



Please refer to page 18 for ripple current frequency coefficients.
★S type